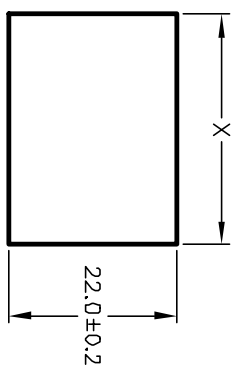
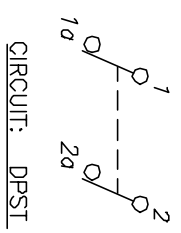
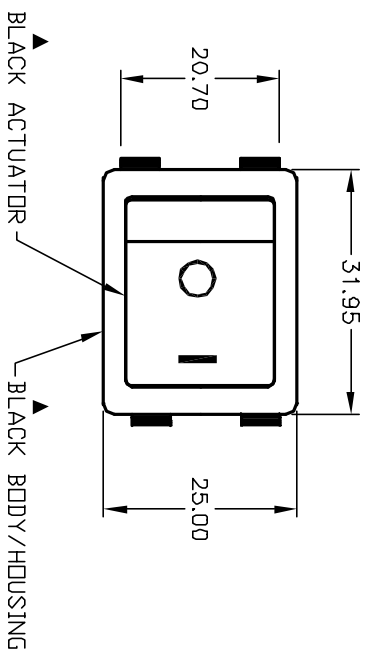


PANEL THICKNESS	X dimension
0.75~1.25 [0.030~0.049]	30.0±0.2 [1.181]
1.25~2.0 [0.049~0.079]	30.2±0.2 [1.189]
2.0~3.0 [0.079~.118]	30.6±0.2 [1.205]



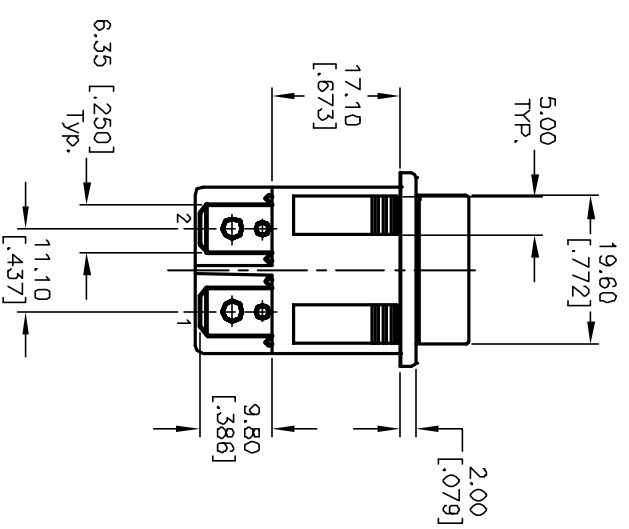
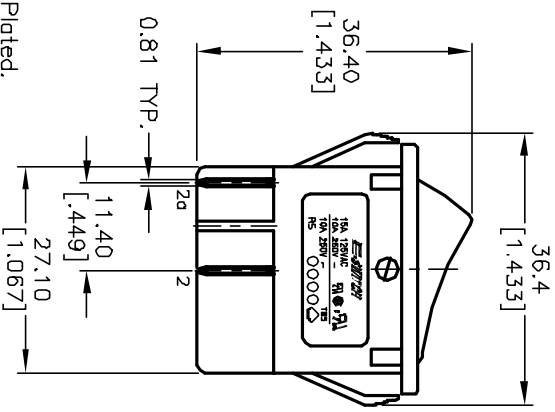
RECOMMENDED PANEL MOUNTING



CIRCUIT: DPST

NOTES:

1. ALL DIMENSIONS IN MM [INCH]
2. GENERAL TOLERANCE: X.X=±0.4
X.XX=±0.25
3. TERM. NOS. FOR REF. ONLY
4. RATING: 20A @125VAC;
15A @250VAC. (Normal Conditions)
5. MATERIAL:
CONTACT SURFACE: Coin Silver, Silver Plated.
TERMINAL: Copper ALLOW w/Silver plate
6. ELECTRICAL LIFE: ≥10,000 cycles
7. MECHANICAL LIFE: 30,000 cycles
8. CONTACT RESISTANCE: <20 MILLI-Ohms initial
9. DIELECTRIC STRENGTH: >1,500V AC 1min
>3,000V between poles.



REV.	ECN No.	DESCRIPTION	DATE	CHKD
A	12259	RELEASED FOR PRODUCTION	10/1/02	CJB

TITLE	SCALE	DR	DWG	REV
BLK BLK GF0	1:1	--	M060400	A

OBSOLETE SEE CH® M060500

THE INFORMATION CONTAINED IN THIS DOCUMENT IS PROPRIETARY TO E-SWITCH AND IS NOT TO BE COPIED OR TRANSFERRED